

Stainless steel submersible drainage pumps for chemically aggressive liquids. Spherical clearance 10 mm.

CH 432, CH 436

Application

HOMA CH 432 and CH 436 stainless steel submersible drainage pumps are suitable for pumping corrosive, abrasive or chemically aggressive liquids, drainage water or chemicals containing soft solids up to 10 mm diameter. They are used in various domestic, industrial or municipal applications.

DIN EN 12050-2: Conformity and design approved and controlled by LGA.

Installation: Transportable or permanent.

Pumped liquid: Drainage water with abrasive or chemically aggressive contents, chemical liquids. PH-value 3-14, with chemically aggressive liquid may also be lower, see specific chemical resistance of used materials.

Max liquid temperature: 40°C, short term up to 60°C.

Operation: Permanent (S1).

Design

Fully submersible, compact integrated motor-pump unit consisting of:

Pump: Single stage centrifugal pump with horizontal discharge.

Impeller: Open multi-channel impeller, spherical clearance 10 mm.

Motor: Fully submersible, pressure tight electric motor. Insulation class H, degree of protection IP 68. Thermal sensor embedded in the winding.

Cable: H07RN-F(PLUS)-6G1,5

Model CH432W: H07RN-F4G1,5 with cable protective hose and longitudinally tight cable trumpet.

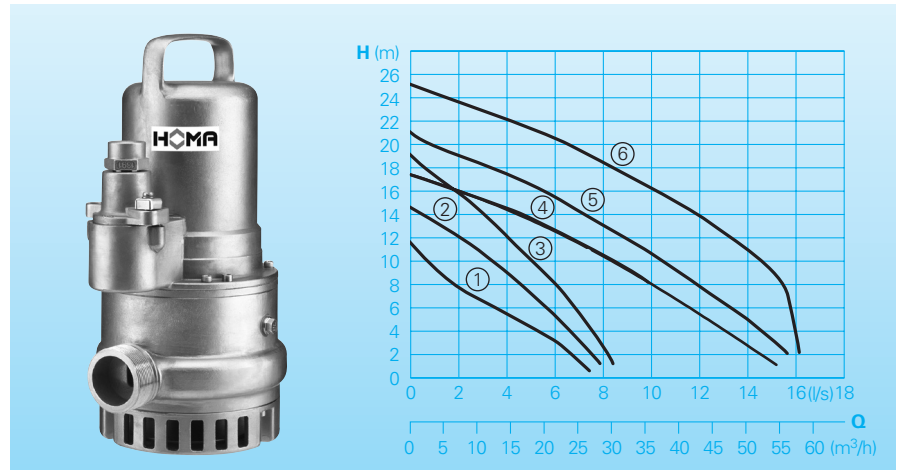
Shaft/Bearing: Large diameter stainless steel rotor shaft, pre-lubricated bearings.

Seals: Combination of mechanical seal and lip seal (CH 432) respectively 2 mechanical seals (CH 436) from silicon-carbide/ silicon-carbide and viton in a separate oil chamber. Oil inspection from outside.

Explosion proof: All pump types also available according to

⊕ II 2 G Ex c d II B T4(T3).

Performance



Technical Data

Curve No.	Pump type	Motor input		Capacitor* (µF)	Nominal current (A)	Discharge	Weight (kg)
		P ₁ (kW)	P ₂ (kW)				
①	CH 432-0,9/2 W (Ex)	0,9	0,7	25	5,3	BSP 2 M	28,0
②	CH 432-1,3/2 W (Ex)	1,3	1,0	25	6,6	BSP 2 M	28,0
③	CH 432-1,7/2 W (Ex)	1,7	1,3	30	7,9	BSP 2 M	28,0
①	CH 432-0,9/2 D (Ex)	0,9	0,7		1,9	BSP 2 M	28,0
②	CH 432-1,2/2 D (Ex)	1,2	0,9		2,3	BSP 2 M	28,0
③	CH 432-1,6/2 D (Ex)	1,6	1,2		2,8	BSP 2 M	28,0
④	CH 436-1,9/2 D (Ex)	1,9	1,5		4,0	BSP 2 ½ M	40,0
⑤	CH 436-2,4/2 D (Ex)	2,4	1,9		4,6	BSP 2 ½ M	40,0
⑥	CH 436-3,5/2 D (Ex)	3,5	2,8		7,1	BSP 2 ½ M	52,0

Speed: 2800 rpm

Model W: 230-240V / 1Ph

Model D: 400-415V / 3Ph

Model Ex: explosion proof

* **Capacitor:** For the operation it is necessary to install a capacitor in the control box. (available as Accessories)

Materials

Pump housing	
motor housing	
impeller	Stainless steel 1.4436
Rotor shaft	Stainless steel 1.4462
Mechanical connection parts	Stainless steel 1.4571
O-Rings	FPM (Viton)
Mechanical seals	SiC/SiC, FPM (Viton)
Shaft seal ring	FPM (Viton)
Cable protective hose	Polyolefine

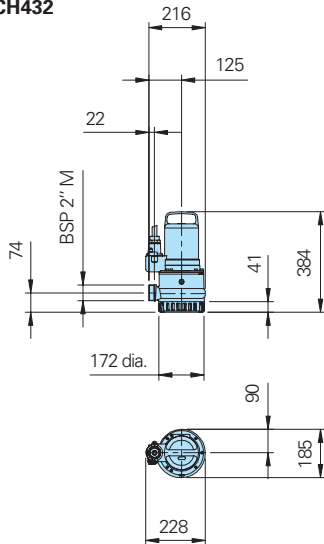
Equipment supplied

Pump with 10 m of cable, 5 m cable protective hose, loose cable end. Possible control boxes: available as accessories.

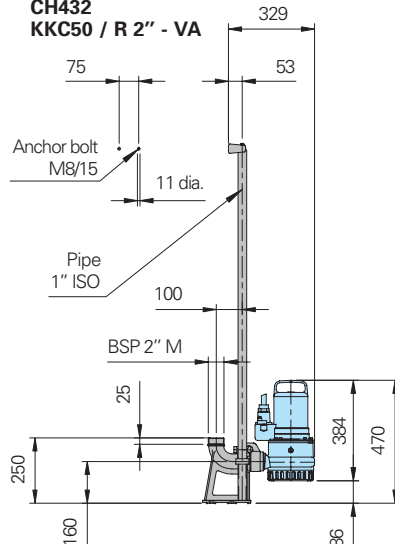
Model W:	W19; WA10/19
Model WE:	WT19
Model D:	DT32; DA10/32
Model DEX:	DT32

Dimensions and Installation (all dimensions in mm)

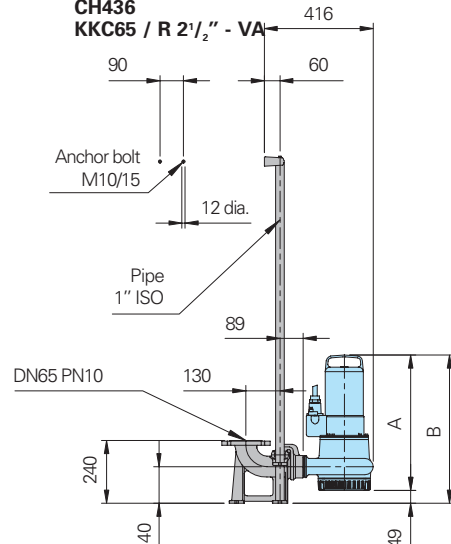
CH432



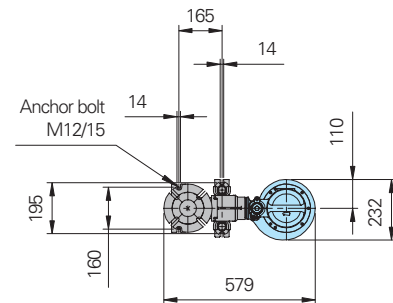
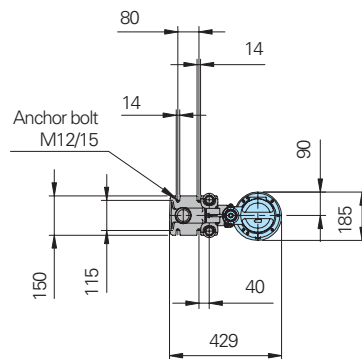
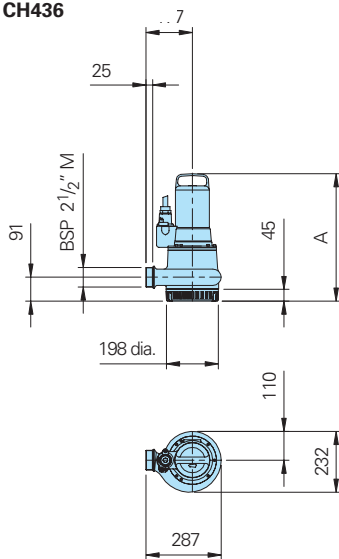
CH432 KKC50 / R 2" - VA



CH436 KKC65 / R 2 1/2" - VA



CH436

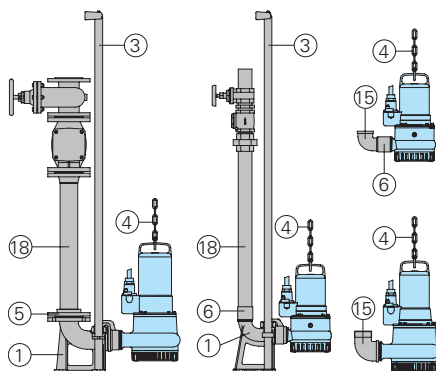


Pump typ	A	B
CH436-1,9/2D(Ex)	486	535
CH436-2,4/2D(Ex)	486	535
CH436-3,5/2D(Ex)	517	566

Part Description	Dimension	Part No.
------------------	-----------	----------

④ Pump chain sets, testet. With shackle, One- or Two-strand, different lengths and load capacities		on request
⑤ Screw flange, stainless steel 1.4571	DN 50, PN16	2215112
	DN 65, PN16	2215115
⑥ Double socket stainless steel 1.4571	BSP2" F	2216042
	BSP2 1/2" F	2216043
⑮ Elbow 90°, stainless steel 1.4401	BSP2" F/M	2111825
	BSP2 1/2" F/M	2111826
⑩ Stainless steel or plastic discharge pipe and fittings		on request
○ Pump controls and control panels for permanent or transportable installation, level controllers and monitoring devices		see HOMA-accessories

Accessories



Part Description	Dimension	Part No.
① Auto-coupling system from stainless steel 1.4436 consisting of auto coupling with flange, flange pump coupling and upper slide rail bracket - Type KKC 50/R 2" BSP2"/BSP2" 8604011 - Type KKC 65/R 2 1/2" DN 65/BSP2 1/2" 8604017		
○ Auto-coupling system complete or partial in stainless steel	all types	on request
○ Screw-kits for installation of coupling systems		on request
○ Supporting bracket for guide rail extension	Ø 1" for KKC50 Ø 1" for KKC65	7323714 7322085
③ Guide rails, pair, per m stainless steel	1" dia.	2190253

HOMA
PUMP TECHNOLOGY

HOMA Pumpenfabrik GmbH
P.O.Box 22 63, D-53814 Neunk.-Seelscheid
Tel. +49 (0) 22 47/702-0, Fax +49 (0) 22 47/702-44
e-mail: info@homa-pumpen.de
www.homapumps.com